



MANUAL



Set of EMC-glands as an option

CONTROL UNIT FOR ROTARY HEAT EXCHANGER

MicroMax750

Article no. F21075301

With adjustable boost function and threshold value

IBCcontrol



TABLE OF CONTENTS

| | |
|---|-----|
| Installation instructions | 2 |
| Mounting | 2 |
| Safety instructions | 3 |
| Manufacturer's declaration Declaration of conformity | 4 |
| Description of functions | 5 |
| Technical data | 6 |
| Functions | 6 |
| - DIP switch | 7 |
| - Operational indications | 7 |
| - Alarms | 8-9 |
| - Settings via potentiometer | 9 |
| - Reset | 9 |
| Connection diagram | 10 |
| Connections | 10 |
| Checks before powering up the control unit | 11 |
| Putting the equipment into operation | 11 |
| EMC installation | 12 |
| EMC gland | 12 |
| Personal notes | 13 |

INSTALLATION INSTRUCTIONS

Warning indication



The control unit must be in perfect technical condition before use.
Damage that can affect safety must be remedied immediately.

Maintenance/Repairs

The function of the control unit should be checked regularly.
Troubleshooting and repairs may only be performed by trained personnel.
Electrical safety regulations must be met.

Disposal and recycling

When replacing components or when the control unit in its entirety need replacing, please follow the advice below:
The aim should always be maximum possible recycling of raw materials, with minimum possible environmental impact.
Never dispose of electrical components with ordinary waste, always use the designated collection points.
Disposal should be as environment-friendly as the technology allows in terms of environmental protection and recycling.

MOUNTING



SAFETY INSTRUCTIONS

The following symbols and references will be used in this description. These important instructions apply to personal protection and technical safety during operation.



“Safety instructions” refers to instructions whose specific intent is to avoid the risk of personal injury and to prevent damage to equipment.



Danger! Electrical current to electrical components!
Note: Switch off main power before removing the cover.

Never touch electrical components or contacts while main current is switched on. Risk of electric shock, resulting in serious injury or death.

Connected terminals contain residual voltage even after the main current has been switched off.

MANUFACTURER'S DECLARATION DECLARATION OF CONFORMITY

| | |
|---|---|
| Manufacturer | IBC control AB Brännerigatan 5 A SE-263 37 Höganäs Sweden Tel: +46 42 33 00 10 |
| Product | Control unit for rotary heat exchanger |
| Type designation | MicroMax750 |
| Applicable EU Directives | EMC Directive 2014/30/EU Low Voltage Directive 2014/35/EU RoHS Directive 2011/65/EU including Delegated Directive EU2015/863 |
| Applicable UK Directives | The Electromagnetic Compatibility Regulations 2016 The Electrical Equipment (Safety) Regulations 2016 The Restriction of the Use of Certain Hazardous Substances in Electrical and Electronic Equipment Regulations 2012 |
| Harmonizing standards for EU/UK Directives | BS EN 61800-3:2004/A1:2012 - Emission kategori C1, Immunitet second environment BS EN 61800-5-1:2007/A1:2017 - The control unit is intended for installation in environments with a pollution rating of 2 (Pollution degree 2) |

This declaration of conformity is issued under the full responsibility of the manufacturer

Höganäs 2021-09-01
IBC control AB



Christer Persson
MD



DESCRIPTION OF FUNCTIONS

- The MicroMax750 is part of a range of control units adapted, with the necessary additional functions, for optimum control of rotary heat exchangers. The series consists of five sizes, MicroMax, MicroMax180, MicroMax370, MicroMax750 and MicroMax1500.

All of the control units drive three-phase asynchronous motors with associated gearing, the control unit designation denotes motor output. All control units have an input signal of 0-10 V.

- MicroMax750 is designed for rotors up to 5000 mm with a rotor speed of max 12 rpm.

If a faster rotor speed is necessary, rotor diameter should be reduced.

- Heat exchanger rpm and thus thermal efficiency are governed by the control unit so that rotor speed is proportional to the input signal from the control centre.

- MicroMax750 a adjustable threshold value of 0-2 V.

- MicroMax750 has adjustable boost function.

- MicroMax750 has a rotation monitor (magnet mounted on the rotor with associated magnetic sensor) and built-in cleaning function.

The functions can be disconnected via DIP switches.

- MicroMax750 starts automatically following voltage drop-out and resets all alarms on restart.



- The motor should not be disconnected from the control unit while under load.

TECHNICAL DATA

| | |
|-----------------------|---------------------------------|
| Connection voltage | 1x230-240 V +/-15 % 50/60 Hz |
| Power input, max. | 1100 W |
| Input current, max. | 5 A |
| External fuse, max. | 10 A |
| Output voltage*) | 3x0-230 V |
| Output frequency | 5-100 Hz |
| Min frequency | (Fixed) 5 Hz |
| Max frequency | 40-100 Hz |
| Motor output, max | 750 W |
| Motor current | 3.6 A |
| Overload 2 min/30 min | 5.3 A |
| Internal fuse**) | 6.3 AT |
| Acceleration time | (Fixed) 30 sec |
| Retardation time | (Fixed) 60 sec |

Ambient temperature, non condensing -25 - +45 °C

Protection form IP54

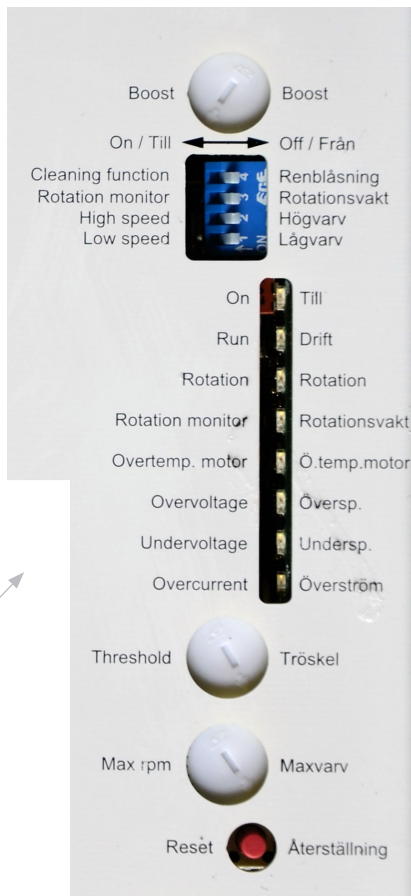
Weight 1.2 kg

Dimensions, HxWxD 223x165x60 mm

* Exact value cannot be obtained with a digital measuring instrument

** The fuse protects both motor and electronics

FUNCTIONS



DIP SWITCH

| | |
|--------------------------|---|
| Cleaning function | Cleaning function connected in ON position. When the rotor has stopped for 30 minutes, the cleaning function is activated and the rotor rotates at minimum rpm for 10 seconds. |
| Rotation monitor | Rotation monitor set to ON position. |
| High speed*) | The rotor rotates at the set maximum rpm when the switch is set to ON. After a test run, make sure the DIP switch is set to OFF. |
| Low speed*) | The rotor rotates at the fixed minimum rpm when the switch is set to ON. After a test run, make sure the DIP switch is set to OFF. |

*) Manual operation (test mode)

OPERATIONAL INDICATIONS

| | |
|-----------------|---|
| On/alarm | Lit with fixed light It flashes when the control unit has tripped. |
| Run | Comes on when the motor is to rotate, i.e. when the input signal exceeds the threshold value. |
| Rotation | Flashes when the magnet passes the magnetic sensor, regardless of the "Rotation monitor" DIP switch setting. Flashes even if the input signal is lower than the threshold value. |

ALARMS

All alarms remain in state.

| | |
|--------------------------------------|---|
| Rotation monitor | Alarms and trips if a pulse is not received every 5 minutes. |
| Probable fault cause on installation | <ul style="list-style-type: none">- Magnet turned the wrong way- Rotation monitor incorrectly connected (wrong polarity), refer to “Connections” on page 10- Too wide a gap between the magnetic sensor and magnet, max 15 mm |
| Probable fault cause in operation | <ul style="list-style-type: none">- Broken belt- Belt slipping- Stuck rotor- Magnetic sensor or magnet not intact |
| Overtemperature motor | Alarms and trips if motor winding temperature is too high. The thermal contact in the motor reverts to normal mode when the temperature drops. |
| Probable fault cause | See “Overcurrent” on page 9. |
| Overvoltage | Alarms and trips if the connection voltage exceeds 276 V for more than 4-5 seconds. |
| Undervoltage | Alarms and trips if the connection voltage drops below 195 V for more than 4-5 seconds. |
| Short circuit/overcurrent | Alarms and trips in the event of a phase-to-phase or phase-to-earth short circuit and overcurrent. Short circuit phase-phase or phase-earth (earth fault) MicroMax750 trips immediately. |
| Probable fault cause | <ul style="list-style-type: none">- Motor winding fault Measure motor resistance, it should be identical on all phases.- Short circuit between phases in the cable- Earth fault in the motor or cable |

Continued on next page

Continued from previous page

Overcurrent

MicroMax750 limits the current at 7 A and trips then after 4-5 s.

Probable fault cause

- The motor is too small in relation to rotor diameter
 - Rotor rotation sluggish
 - Damaged motor, e.g. bearing fault
- Measure current.

NOTE! Precise voltages and amperages can only be obtained with a moving-iron instrument.

SETTINGS VIA POTENTIOMETER

Boost

Torque boost at low rpm.
May be increased if necessary, but motor temperature will increase.
Factory setting at 9 o'clock.

Threshold value

The control unit will start when the input signal exceeds the threshold value, adjustable between 0-2 V.
Factory setting, min.

Max rpm

Potentiometer for adjusting maximum rpm.
Adjust between 40-100 Hz.
Factory setting, min.

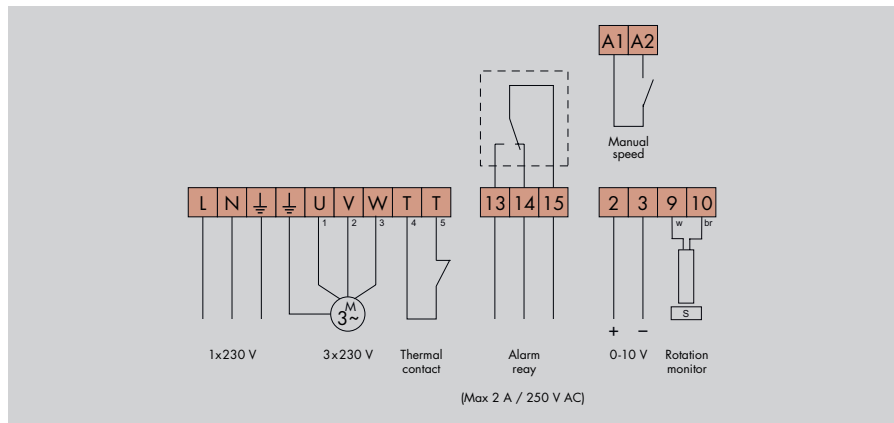
RESET

Reset

Reset button for resetting the control unit.
The control unit also resets in the event of voltage drop-out.
In both cases, all alarms reset.
Automatic restart takes place after a voltage drop-out.



CONNECTION DIAGRAM



CONNECTIONS



Switch off power before starting work on the equipment.

Recommended tightening torque on terminals 0.5 Nm, max tightening torque 0.8 Nm.

| | |
|---------------------------------------|--|
| Connection voltage (L-N-PE) | 1x230-240 V +/-15 %, 50/60 Hz. NOTE! Protective earth must always be connected. |
| Motor (U-V-W) | Three-phase asynchronous motor wired for 3x230 V (Delta). Max 750 W. Direction of rotation is changed by switching two of the phases. |
| Thermal contact (T-T) | The thermal contact in the motor should be used to protect the motor from overheating. Must be jumped if the temperature switch is not connected. |
| Alarm relay (13-14-15) | Closes between 14-15 in the event of an alarm or voltage drop-out. Max 2 A resistive load / 250 V AC. |
| Manual speed (A1-A2) | Provides set max rpm when closed, regardless of input signal value. |
| Input signal (2-3) | 0-10 V. Plus connected to terminal 2, minus to terminal 3. |
| Rotation monitor (9-10) | White cable connected to terminal 9, brown to terminal 10. The magnet is installed with south side (S) towards the sensor. Max. gap 15 mm. |

CHECKS BEFORE POWERING UP THE CONTROL UNIT



| | |
|-------------------|---|
| Check that | the control unit is connected as per instructions on page 10. Connection voltage 230-240 V +/-15%, 50/60 Hz. |
| Check that | the motor is wired for 3x230 V. If there is an operating switch between the motor and the control unit, the motor thermal contact should be connected via the auxiliary terminal in the operating switch. |
| Check that | the input signal is 0-10 V. |
| Check that | the cleaning function and rotation monitor DIP switch are set to ON. |

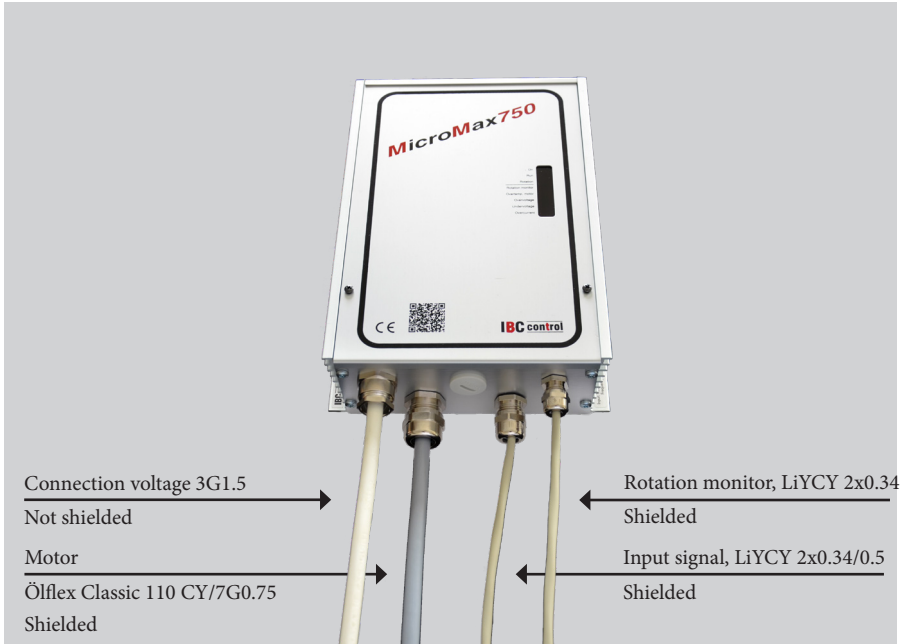
PUTTING THE EQUIPMENT INTO OPERATION



Should be done in sequence.

| | |
|---------------------------------------|---|
| Check that | the motor rotates in the right direction in relation to the rotor's direction of rotation. In the event of a fault, switch two phases to the motor. |
| Adjustment of maximum rpm | Set the "High Speed" DIP switch to the ON position. Adjust "Max. rpm" so that the rotor rotates at 10-12 rpm (or as per directions from rotor manufacturer). After a test run, set the DIP switch to OFF. |
| Checking minimum rpm | Set the "Low Speed" DIP switch to ON. Check that the rotor starts. The minimum rpm is preset. After a test run, set the DIP switch to OFF. |
| Checking the cleaning function | Switch off the voltage. Make sure the "Cleaning function" DIP switch is set to ON and the input signal is disconnected. When power is switched on, the rotor will rotate at minimum rpm for 10 seconds. |
| Checking the rotation monitor | The yellow "Rotation" LED will flash when the magnet passes the magnetic sensor, regardless of DIP switch position. |
| Finish by | having the control unit drive the rotor at maximum and minimum rpm and checking that the rotor speed is correct. |

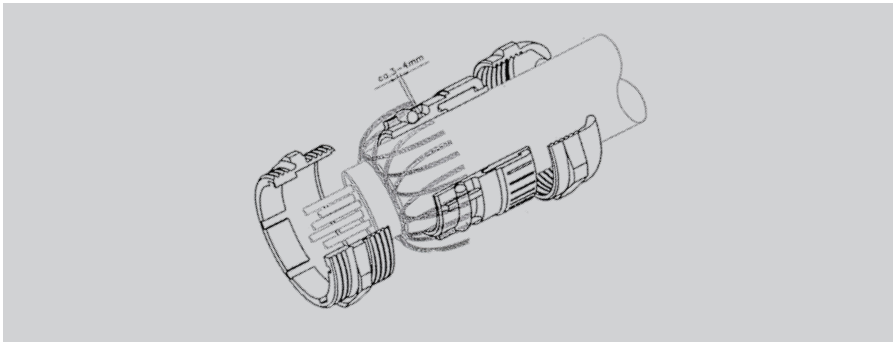
EMC INSTALLATION



EMC glands must be used for shielded cables.

The above cables or equivalent must be used to comply with the EMC Directive.

EMC GLAND



NOTE!

When connecting the shield to the EMC gland, it is important to do so as shown above.

PERSONAL NOTES

A large rectangular area filled with horizontal stripes of varying shades of grey, intended for writing personal notes. The stripes alternate between a medium grey and a light grey, creating a grid-like pattern for text entry.

F21075902GB
Version 1.0.1
2021-10-01

IBCcontrol

IBC control AB
Brännerigatan 5 A
SE-263 37 Höganäs
Sweden
Tel. +46 42 33 00 10
www.ibcccontrol.se
info@ibcccontrol.se